

Nyx 450

Design: Vilhelm Lauritzen Architects

NYX 450 can be mounted as top-post, mid-post or on horizontal arm. Like the other luminaires in the Nyx family, Nyx 450 is available in black and two grey colours which suit galvanised poles very well. The luminaires are made of cast aluminium with screen in clear, hardened glass. They are simple and easy to maintain.

The NYX luminaires are equipped with LED with various lense options. Nyx 450 features flat bottom, resulting in reduced glaring and less light pollution. All Nyx luminaires meet the requirements of EN13201.

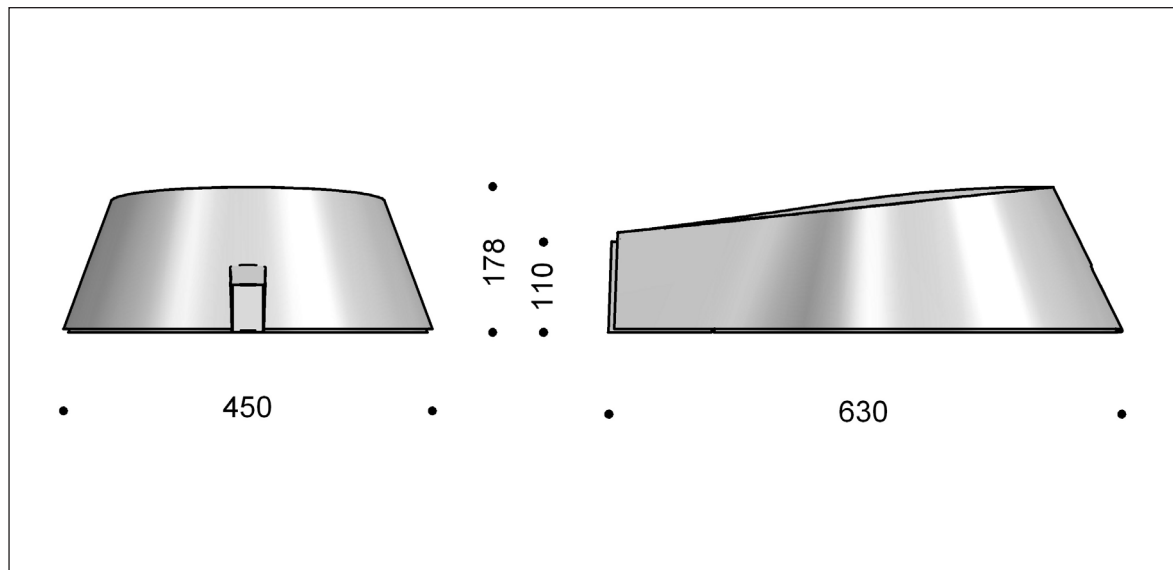


Find our sales partner in your country under Contacts at www.focus-lighting.dk

FOCUS-LIGHTING

Nyx 450 - FastFlex + T3

Design: Vilhelm Lauritzen Architects



Luminaire specs:

Material: Cast aluminium
 Finish: Raw anodized
 Graphite grey: YW355F
 Silver grey: Y2370I
 Black: Noir 900 Sablé SN351F
 Screen: 3 mm hardened glass
 Mounting: On pole w. 60 or 76 mm top diameter, on 60 or 48 mm arm or on wall
 Connection: In the pole
 Supplied with 9.5 m lead 2 x 1 mm²
 Version for side entry: + 2 meter
 Classification: IP66, class II
 Impact resistance: IK10; with Zhaga socket IK09
 Corrosion class: C4, C5 optional
 Weight: 11 kg
 Wind sweeping area: 0.09 m² (laterally)

Driver specs:

Driver, 2xFF: Xitanium Full Xi FP 75 W 0.2-0.7 A, program.
 Inrush current: max 46 A (50% after 250 µs)
 Operational input voltage, AC: 80-264 Vac
Driver, 3xFF: Xitanium Full Xi FP 110W 0.2-0.7A, program.
 Inrush current: max 47 A (50% after 250 µs)
 Operational input voltage, AC: 80-264 Vac
Driver, 4xFF: Xitanium Full Xi FP 165W 0.3-1.0 A, program.
 Inrush current: max 41 A (50% after 440 µs)
 Operational input voltage, AC: 160-264 Vac
 Nominal voltage, AC: 220-240 Vac
 Nominal voltage, DC: 186-250 Vdc
 Operational input voltage, DC: 168-275 Vdc
 Nominal input frequency: 50-60 Hz
 Operational input frequency: 45-66 Hz
 Max pre-protection: 16 A
 Surge protection: L/N-GND: 10 kV, L-N: 6 kV, (SR driver: 8 kV)
 Service life: min 100,000 hours
 Dimming: 5 steps dimming within the lumen intervals
 Alternatively: DALI-2 (4/5-conductor cable), LineSwitch, or via Zhaga book 18.socket

Lamp specs:

FastFlex LED: FF-DA, T3 lenses, for local roads, P, HS, and C classes, 2, 3, or 4 modules, exchangeable
 Service life: min. 100,000 hours at ta max 25°, L90B10
 Constant lumen output
 Temperature range: -30 to +35° C
 Colour temperature: 2700, 3000, or 4000 Kelvin
 Colour rendering: min 70 Ra, 80 Ra optional
 Colour accuracy: 5 Steps SDCM
 Intensity class: G*3
 Luminous flux: The luminous flux range quoted below is from the LED light source. Apply output ratio in order to calculate luminous flux out of the luminaire.

LED-lumen, 2xFF:

70 Ra 3000K: 875-9000 lm, energy eff class D
 4000K: 950-9700 lm, energy eff class D
 80 Ra 2700K: 725-7600 lm, energy eff class E
 3000K: 775-8000 lm, energy eff class E
 4000K: 825-8500 lm, energy eff class D

LED-lumen, 3xFF:

70 Ra 3000K: 1310-13500 lm, energy eff class D
 4000K: 1420-14600 lm, energy eff class D
 80 Ra 2700K: 1100-11400 lm, energy eff class E
 3000K: 1175-12000 lm, energy eff class E
 4000K: 1250-12700 lm, energy eff class D

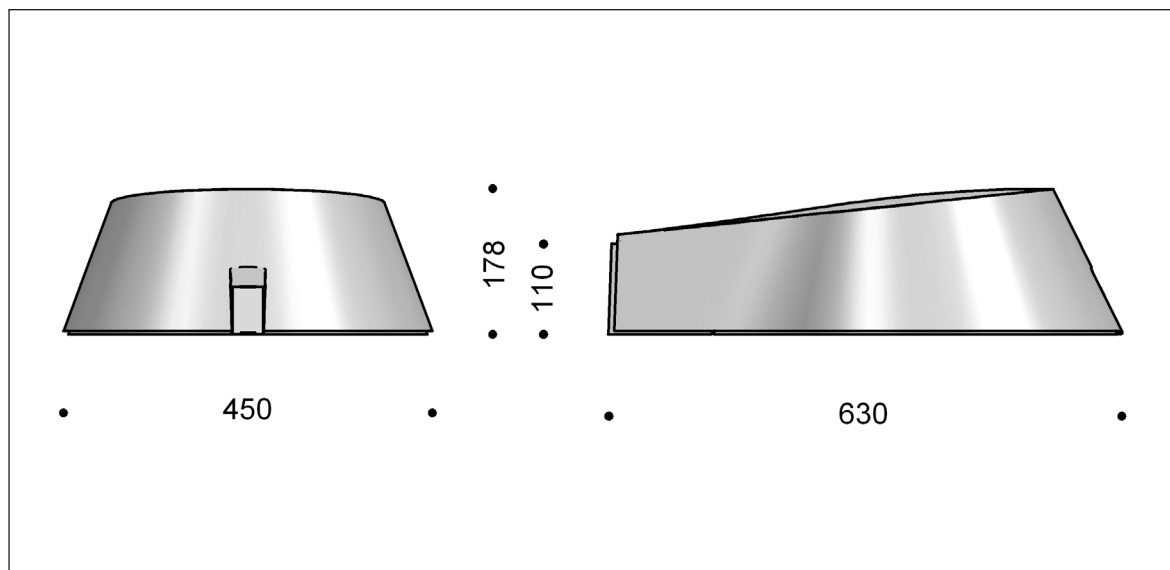
LED-lumen, 4xFF:

70 Ra 3000K: 1750-18000 lm, energy eff class D
 4000K: 1900-19450 lm, energy eff class D
 80 Ra 2700K: 1500-15200 lm, energy eff class E
 3000K: 1550-16000 lm, energy eff class E
 4000K: 1650-16950 lm, energy eff class D

Output ratio: 89 per cent

Nyx 450 - FastFlex + MEW

Design: Vilhelm Lauritzen Architects



Luminaire specs:

Material:	Cast aluminium
Finish:	Raw anodized Graphite grey: YW355F Silver grey: Y2370I Black: Noir 900 Sablé SN351F
Screen:	3 mm hardened glass
Mounting:	On pole w. 60 or 76 mm top diameter, on 60 or 48 mm arm or on wall
Connection:	In the pole Supplied with 9.5 m lead 2 x 1 mm ² Version for side entry: + 2 meter
Classification:	IP66, class II
Impact resistance:	IK10; with Zhaga socket IK09
Corrosion class:	C4, C5 optional
Weight:	11 kg
Wind sweeping area:	0.09 m ² (laterally)

Driver specs:

Driver, 2xFF:	Xitanium Full Xi FP 75 W 0.2-0.7 A, program.
Inrush current:	max 46 A (50% after 250 µs)
Operational input voltage, AC:	80-264 Vac
Driver, 3xFF:	Xitanium Full Xi FP 110W 0.2-0.7A, program.
Inrush current:	max 47 A (50% after 250 µs)
Operational input voltage, AC:	80-264 Vac
Driver, 4xFF:	Xitanium Full Xi FP 165W 0.3-1.0 A, program.
Inrush current:	max 41 A (50% after 440 µs)
Operational input voltage, AC:	160-264 Vac
Nominal voltage, AC:	220-240 Vac
Nominal voltage, DC:	186-250 Vdc
Operational input voltage, DC:	168-275 Vdc
Nominal input frequency:	50-60 Hz
Operational input frequency:	45-66 Hz
Max pre-protection:	16 A
Surge protection:	L/N-GND: 10 kV, L-N: 6 kV, (SR driver: 8 kV)
Service life:	min 100,000 hours
Dimming:	5 steps dimming within the lumen intervals
Alternatively:	DALI-2 (4/5-conductor cable), LineSwitch, or via Zhaga book 18.socket

Lamp specs:

FastFlex LED:	FF-DA, MEW lenses, for traffic roads, M classes, 2, 3, or 4 module, exchangable
Service life:	min. 100,000 hours at ta max 25°, L90B10 Constant lumen output
Temperature range:	-30 to +35° C
Colour temperature:	2700, 3000, or 4000 Kelvin
Colour rendering:	min 70 Ra, 80 Ra optional
Colour accuracy:	5 Steps SDCM
Intensity class:	G*6
Luminous flux:	The luminous flux range quoted below is from the LED light source. Apply output ratio in order to calculate luminous flux out of the luminaire.

LED-lumen, 2xFF:

70 Ra	3000K: 875-9000 lm, energy eff class D 4000K: 950-9700 lm, energy eff class D
80 Ra	2700K: 725-7600 lm, energy eff class E 3000K: 775-8000 lm, energy eff class E 4000K: 825-8500 lm, energy eff class D

LED-lumen, 3xFF:

70 Ra	3000K: 1310-13500 lm, energy eff class D 4000K: 1420-14600 lm, energy eff class D
80 Ra	2700K: 1100-11400 lm, energy eff class E 3000K: 1175-12000 lm, energy eff class E 4000K: 1250-12700 lm, energy eff class D

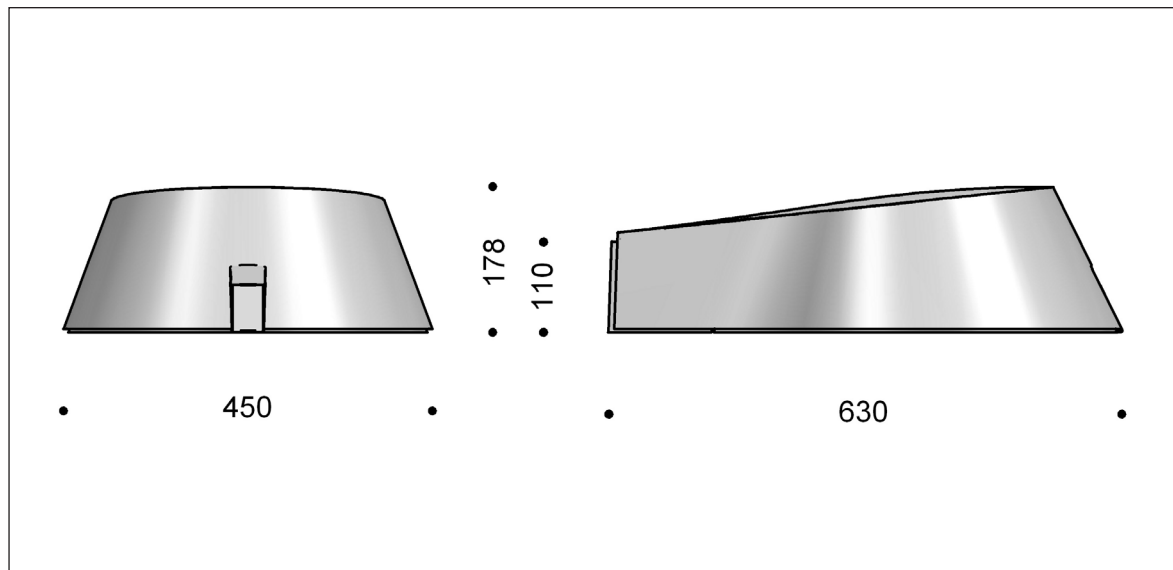
LED-lumen, 4xFF:

70 Ra	3000K: 1750-18000 lm, energy eff class D 4000K: 1900-19450 lm, energy eff class D
80 Ra	2700K: 1500-15200 lm, energy eff class E 3000K: 1550-16000 lm, energy eff class E 4000K: 1650-16950 lm, energy eff class D

Output ratio:	92 per cent
---------------	-------------

Nyx 450 - FastFlex + T4

Design: Vilhelm Lauritzen Architects



Luminaire specs:

Material:	Cast aluminium
Finish:	Raw anodized Graphite grey: YW355F Silver grey: Y2370I Black: Noir 900 Sablé SN351F
Screen:	3 mm hardened glass
Mounting:	On pole w. 60 or 76 mm top diameter, on 60 or 48 mm arm or on wall
Connection:	In the pole Supplied with 9.5 m lead 2 x 1 mm ² Version for side entry: + 2 meter
Classification:	IP66, class II
Impact resistance:	IK10; with Zhaga socket IK09
Corrosion class:	C4, C5 optional
Weight:	11 kg
Wind sweeping area:	0.09 m ² (laterally)

Driver specs:

Driver, 2xFF:	Xitanium Full Xi FP 75 W 0.2-0.7 A, program.
Inrush current:	max 46 A (50% after 250 µs)
Operational input voltage, AC:	80-264 Vac
Driver, 3xFF:	Xitanium Full Xi FP 110W 0.2-0.7A, program.
Inrush current:	max 47 A (50% after 250 µs)
Operational input voltage, AC:	80-264 Vac
Driver, 4xFF:	Xitanium Full Xi FP 165W 0.3-1.0 A, program.
Inrush current:	max 41 A (50% after 440 µs)
Operational input voltage, AC:	160-264 Vac
Nominal voltage, AC:	220-240 Vac
Nominal voltage, DC:	186-250 Vdc
Operational input voltage, DC:	168-275 Vdc
Nominal input frequency:	50-60 Hz
Operational input frequency:	45-66 Hz
Max pre-protection:	16 A
Surge protection:	L/N-GND: 10 kV, L-N: 6 kV, (SR driver: 8 kV)
Service life:	min 100,000 hours
Dimming:	5 steps dimming within the lumen intervals
Alternatively:	DALI-2 (4/5-conductor cable), LineSwitch, or via Zhaga book 18.socket

Lamp specs:

FastFlex LED:	FF-DA, T4 lenses, for roundabouts, 2, 3, or 4 module, exchangeable
Service life:	min. 100,000 hours at ta max 25°, L90B10 Constant lumen output
Temperature range:	-30 to +35° C
Colour temperature:	2700, 3000, or 4000 Kelvin
Colour rendering:	min 70 Ra, 80 Ra optional
Colour accuracy:	5 Steps SDCM
Intensity class:	G*2
Luminous flux:	The luminous flux range quoted below is from the LED light source. Apply output ratio in order to calculate luminous flux out of the luminaire.

LED-lumen, 2xFF:

70 Ra	3000K: 875-9000 lm, energy eff class D 4000K: 950-9700 lm, energy eff class D
80 Ra	2700K: 725-7600 lm, energy eff class E 3000K: 775-8000 lm, energy eff class E 4000K: 825-8500 lm, energy eff class D

LED-lumen, 3xFF:

70 Ra	3000K: 1310-13500 lm, energy eff class D 4000K: 1420-14600 lm, energy eff class D
80 Ra	2700K: 1100-11400 lm, energy eff class E 3000K: 1175-12000 lm, energy eff class E 4000K: 1250-12700 lm, energy eff class D

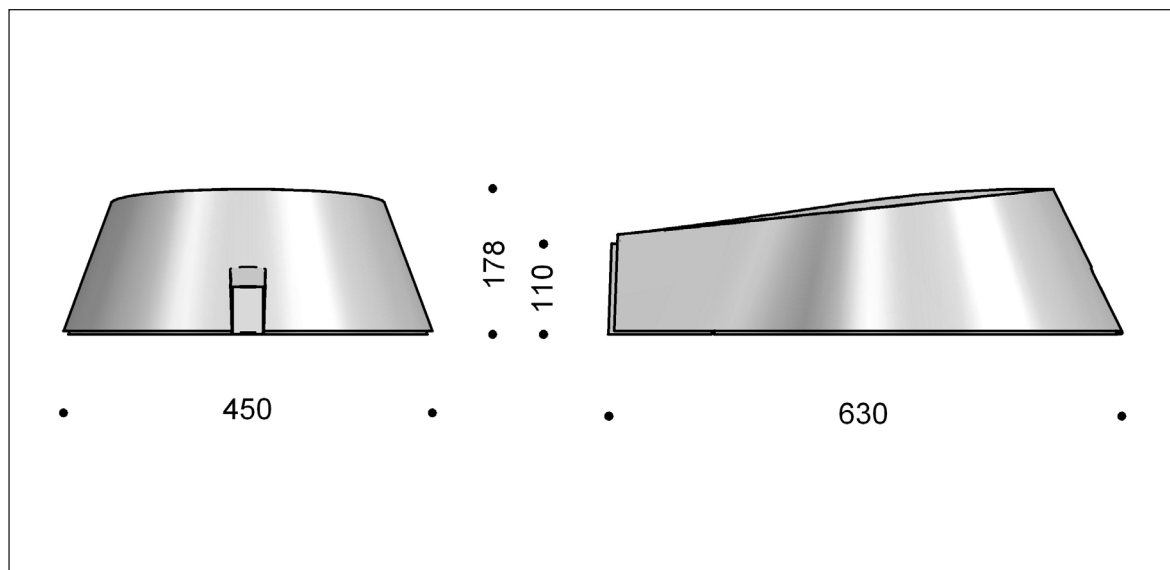
LED-lumen, 4xFF:

70 Ra	3000K: 1750-18000 lm, energy eff class D 4000K: 1900-19450 lm, energy eff class D
80 Ra	2700K: 1500-15200 lm, energy eff class E 3000K: 1550-16000 lm, energy eff class E 4000K: 1650-16950 lm, energy eff class D

Output ratio:	90 per cent
---------------	-------------

Nyx 450 - FastFlex + PX

Design: Vilhelm Lauritzen Architects



Luminaire specs:

Material:	Cast aluminium
Finish:	Raw anodized Graphite grey: YW355F Silver grey: Y2370I Black: Noir 900 Sablé SN351F
Screen:	3 mm hardened glass
Mounting:	On pole w. 60 or 76 mm top diameter, on 60 or 48 mm arm or on wall
Connection:	In the pole Supplied with 9.5 m lead 2 x 1 mm ² Version for side entry: + 2 meter
Classification:	IP66, class II
Impact resistance:	IK10; with Zhaga socket IK09
Corrosion class:	C4, C5 optional
Weight:	11 kg
Wind sweeping area:	0.09 m ² (laterally)

Driver specs:

Driver, 2xFF:	Xitanium Full Xi FP 75 W 0.2-0.7 A, programmable
Inrush current:	max 46 A (50% after 250 µs)
Driver, 3xFF:	Xitanium Full Xi FP 110 W 0.2-0.7 A, programmable
Inrush current:	max 47 A (50% after 250 µs)

Nominal voltage, AC:	220-240 Vac
Operational input voltage, AC:	80-264 Vac
Nominal voltage, DC:	186-250 Vdc
Operational input voltage, DC:	168-275 Vdc
Nominal input frequency:	50-60 Hz
Operational input frequency:	45-66 Hz
Max pre-protection:	16 A
Surge protection:	L/N-GND: 10 kV, L-N: 6 kV, (SR driver: 8 kV)
Service life:	min 100,000 hours

Dimming:	5 steps dimming within the lumen intervals
Alternatively:	DALI-2 (4/5-conductor cable), LineSwitch, or via Zhaga book 18 socket

Lamp specs:

FastFlex LED:	FF-DA, PX lenses, for pedestrian crossings, 2 or 3 modules, exchangeable
Service life:	min. 100,000 hours at ta max 25°, L90B10 Constant lumen output
Temperature range:	-30 to +35° C
Colour temperature:	2700, 3000, or 4000 Kelvin
Colour rendering:	min 70 Ra, 80 Ra optional
Colour accuracy:	5 Steps SDCM
Intensity class:	G*4
Luminous flux:	The luminous flux range quoted below is from the LED light source. Apply output ratio in order to calculate luminous flux out of the luminaire.

LED-lumen, 2xFF:

70 Ra	3000K: 875-9000 lm, energy eff class D 4000K: 950-9700 lm, energy eff class D
80 Ra	2700K: 725-7600 lm, energy eff class E 3000K: 775-8000 lm, energy eff class E 4000K: 825-8500 lm, energy eff class D

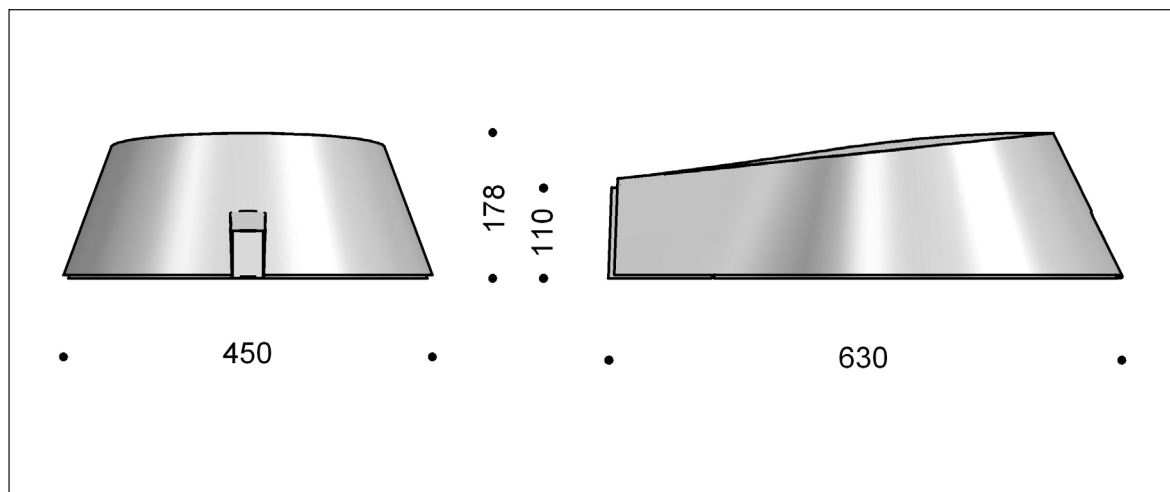
LED-lumen, 3xFF:

70 Ra	3000K: 1310-13500 lm, energy eff class D 4000K: 1420-14600 lm, energy eff class D
80 Ra	2700K: 1100-11400 lm, energy eff class E 3000K: 1175-12000 lm, energy eff class E 4000K: 1250-12700 lm, energy eff class D

Output ratio:	89 per cent
---------------	-------------

Nyx 450 - FastFlex - Product codes

Design: Vilhelm Lauritzen Architects



Product codes:

NYX 450 FastFlex LED with T3 lenses for local roads, P, HS, and C classes		
Item Nos.	Lamp type	Select colour, colour temperature, etc. in the table below.
9930-	2xFF-DA, T3, programmable	
9931-	3xFF-DA, T3, programmable	
9932-	4xFF-DA, T3, programmable	

NYX 450 FastFlex LED with MEW lenses for traffic roads, M classes		
Item Nos.	Lamp type	Select colour, colour temperature, etc. in the table below.
9950-	2xFF-DA, MEW, programmable	
9951-	3xFF-DA, MEW, programmable	
9952-	4xFF-DA, MEW, programmable	

NYX 450 FastFlex LED with T4 lenses for roundabouts and wide roads		
Item Nos.	Lamp type	Select colour, colour temperature, etc. in the table below.
9940-	2xFF-DA, T4, programmable	
9941-	3xFF-DA, T4, programmable	
9942-	4xFF-DA, T4, programmable	

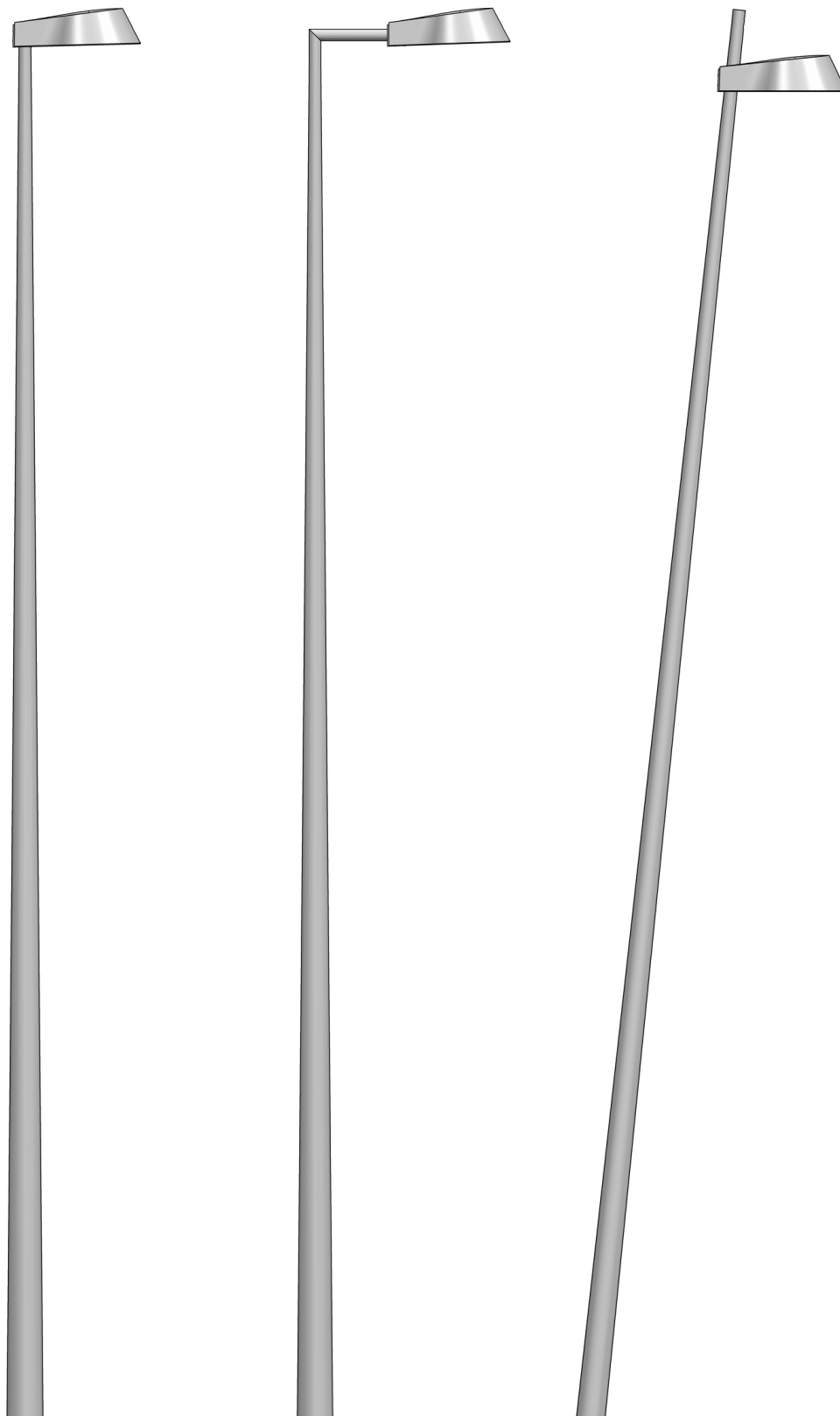
NYX 450 FastFlex LED with PX lenses for crossings		
Item Nos.	Lamp type	Select colour, colour temperature, etc. in the table below.
9955-	2xFF-DA, PX, programmable	
9956-	3xFF-DA, PX, programmable	

Combine with:	Colour	Colour temperature	Mounting	Dimming/control	Protection class
	01 raw anodized	730 3000 K, 70 Ra	T pole top	empty programmable *)	empty class II
	4 graphite grey	740 4000 K, 70 Ra	U side entry Ø60	D Dali-2	J class I
	9 silver grey	827* 2700 K, 80 Ra	U48 side entry Ø48	F LineSwitch	
	66 black noir 900	830* 3000 K, 80 Ra	G mid-column Ø60	R SR driver and Zhaga book 18 socket, upwards	
		840* 4000 K, 80 Ra	G76 mid-column Ø76	RC as above, City Touch/Interact City	
		* Note: longer lead times		S SR driver and Zhaga book 18 socket, downwards	
	Corrosion protection				
	C5 C5 coating	In the case of extra corrosion protection, add C5 to the colour code; example: 9931-9C5730			
Example:	9951-9730TJ = Nyx 450 3xFF-DA, MEW, programmable, silver grey, 3000 K 70 Ra, pole top, class I				
*) programmable	When ordering, please state luminous flux as the required LED-lumen + dimming level + dimming period				
Example, profile:	12000 lm 50% 22-06 (fifty per cent dimming from 10 pm to 6 am)				
Option					
9023-	Wall bracket - combine with colour code				

Find our sales partner in your country under Contacts at www.focus-lighting.dk

Nyx 450

Design: Vilhelm Lauritzen Architects



Find our sales partner in your country under Contacts at www.focus-lighting.dk

FOCUS-LIGHTING