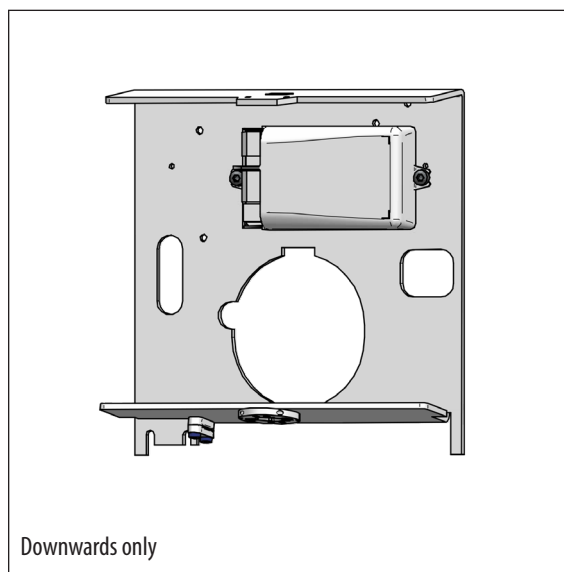
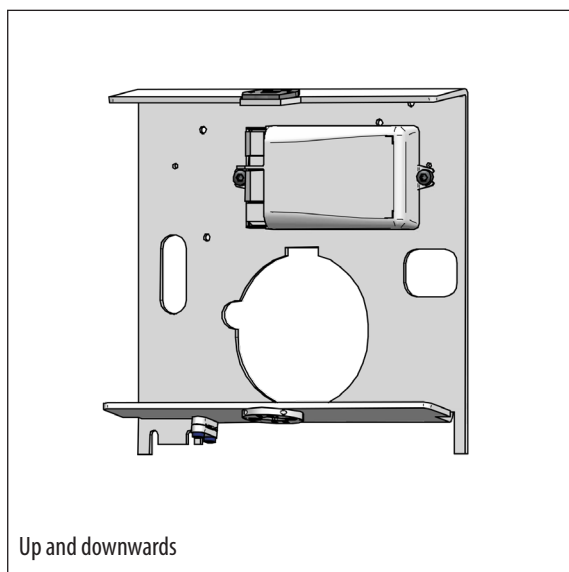


# Square 250 - LED modules



Complete LED module for easy and efficient refurbishment of existing Square 250 fixtures, interior and exterior.

#### LED and driver specification:

LED type: Bridgelux Vero 10 + V6  
 Total consumption:  
 Up and downwards: 10 or 15 W  
 Downwards: 8 or 12 W  
 Service life: 100,000 hours at t<sub>max</sub> 25°, L90B10  
 Colour temperature: 2700, 3000, or 4000 K, energy eff. class F  
 Colour rendering: min 90 Ra  
 Colour accuracy: 3 steps SDCM  
 Driver: LED driver, 20 W, dimming optional  
 Service life: min 100,000 hours

#### Exchange of lamp:

Remove the front by loosening the screw at the bottom of the wall box. Exchange the module.

We include a blank lable in the consignment. Write the old item number on the lable and attach it inside the luminaire.

#### Variants:

LED modules for Square 250						
Item No.	Lamp type	Select colour temperature and other options in the table below.				
1971-	10 W Bridgelux Vero10 + V6, 250 mA, up and downwards					
1915-	15 W Bridgelux Vero10 + V6, 350 mA, up and downwards					
1977-	8 W Bridgelux Vero 10, 250 mA, downwards only					
1950-	12 W Bridgelux Vero 10, 350 mA, downwards only					
Combine with:	Colour temperature	Dimming		Classification		
	927 2700 K, 90 Ra	V	1-10 V	empty	class I	
	930 3000 K, 90 Ra	D	Dali	K	class II	
	940 4000 K, 90 Ra	R	bluetooth sensor			
Example:	1971-930D = 10 W LED module, light up/down, 3000 K, 90 Ra, Dali					
The above LED modules fit the following variants (X stands for colour code):						
Interior	4002X, 4009, 4820 (light up and down), 4012, 4821 (downwards only)					
Exterior	6202X, 6302X, 6802X, 6002, 6820 (light up and down), 6006, 6826 (downwards only)					