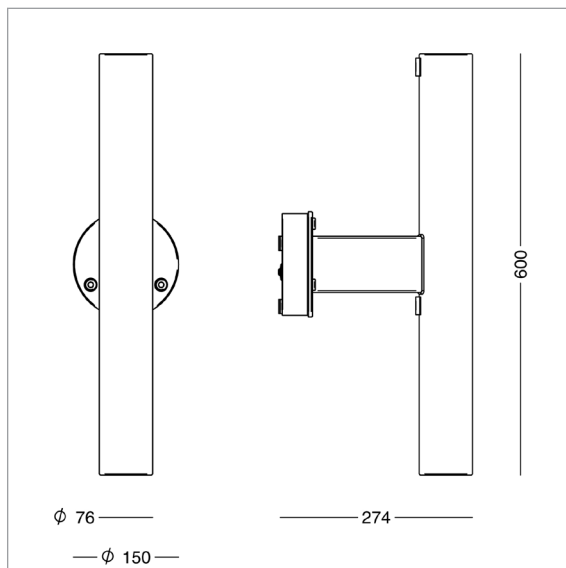
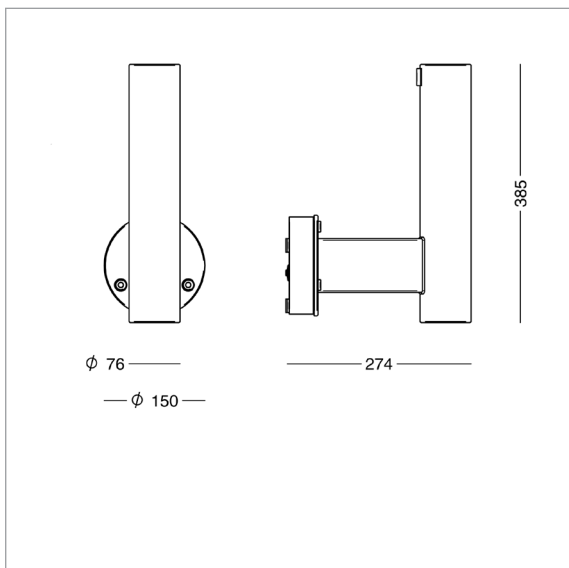
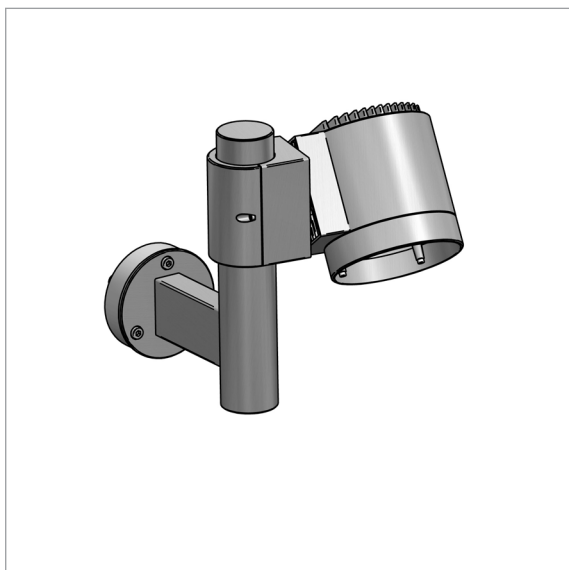


Turn - wall mounting

Design: FRIIS & MOLTKE Design



Product codes:

Turn - arms for wall mount	Select colour in the table below.	
Item No.		
8011-	Arm, aluminium, for one fixture. Arm and fixture will be assembled by Focus Lighting.	
8012-	Arm, aluminium, for two fixtures. Arm and fixtures will be assembled by Focus Lighting.	
Combine with:	Colour	
	01 raw anodized	
	4 graphite grey	
	9 silver grey	
	17 corten brown	
	66 black noir 900	