

Pelée Line

Design: Cubo Architects



PELÉE LINE is the latest news in the Pelée family - now consisting of recessed, surface-mounted, suspended, and downlight luminaires. They are characterised by the concentric inner circles, diffusing light in a pleasant and non-glaring way.

PELÉE LINE is available up to 6 meter in length. Standard lengths are 1200, 1800, 2350, and 2900 mm. The luminaires are equipped with two LED channels for light up and downwards. The downward shade is prismatic, the upward opalised. The uplight in the full length of the luminaire is a spectacular supplement to the downward light.

Four options as to the direction of light:

100% downwards

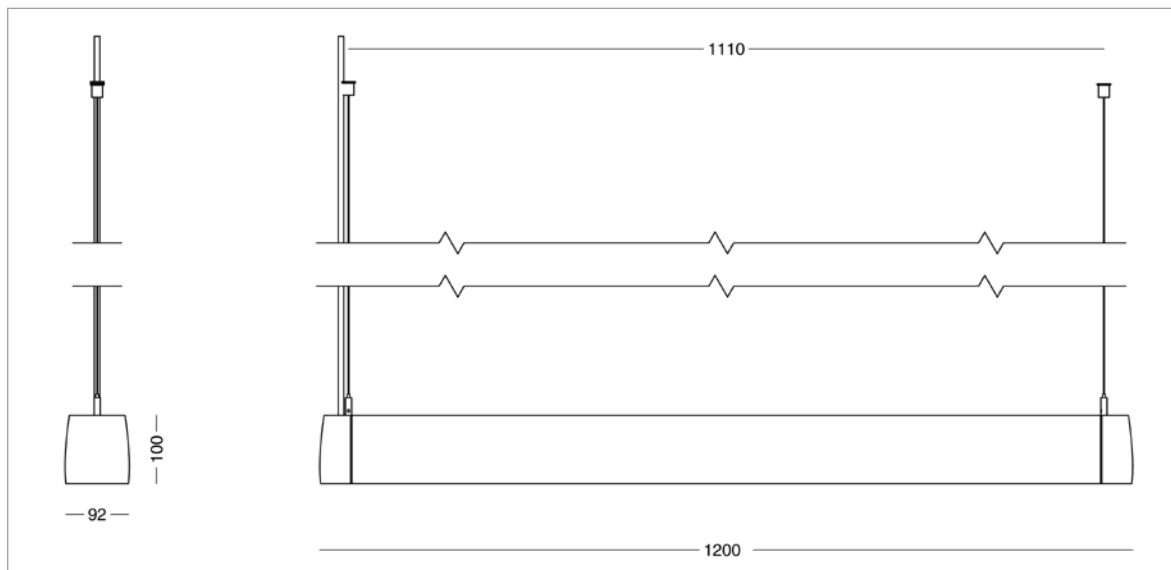
35% upwards, 65% downwards

50% upwards, 50% downwards

65% upwards, 35% downwards

Pelée Line - 1200

Design: Cubo Architects



Luminaire

Material: aluminium
 Powder coating: white RAL 9010 Textura
 black Noir 900 Sablé SN351F
 alu-grey RAL 9006 Textura
 corten brown YX355F
 Shades: prismatic acrylate (downwards)
 opal-white acrylate (upwards)
 Lead: 3 m white PKLJ
 Suspension: 2 x 2 m steel wire, 1.2 mm
 Classification: IP20, class I
 Weight: ca. 5 kg
 Lamp type: LED

LED and driver

LED: strips
 Consumption:
 100% downlight: 42 W
 Other variants: 58 W
 Operational life: 50,000 hours, L80B10
 Luminous power:
 100% downlight: max 4000 lm
 Other variants: max 6000 lm
 Colour temperature: 2700, 3000, or 4000 Kelvin
 Energy eff class: 2700 and 4000 K: D
 3000 K: E
 Colour rendering: min 90 Ra
 Colour accuracy: 3 steps SDCM
 Driver: Dali control

Product codes:

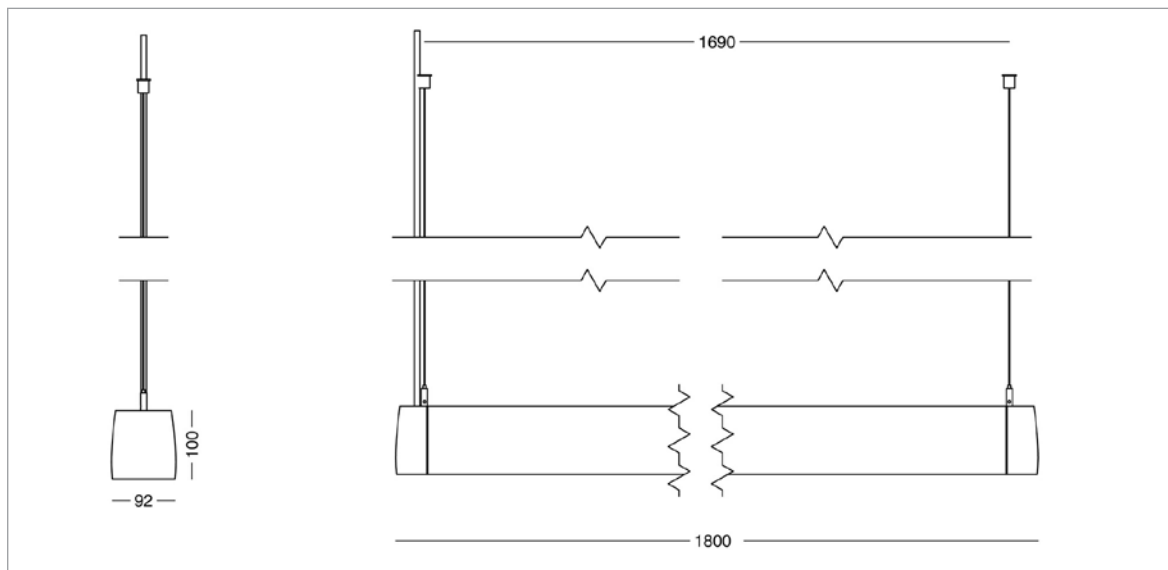
PELÉE Line 1200							
Item No.	Lamp type		Select colour, colour temperature, and dimming in the table below.				
5109-	2000 lm, downwards						
5101-	3000 lm, downwards						
5102-	4000 lm, downwards						
5103-	5000 lm, up and downwards in a 35/65 ratio						
5104-	6000 lm, up and downwards in a 35/65 ratio						
5105-	4000 lm, up and downwards in a 50/50 ratio						
5106-	6000 lm, up and downwards in a 50/50 ratio						
5107-	5000 lm, up and downwards in a 65/35 ratio						
5108-	6000 lm, up and downwards in a 65/35 ratio						
To be combined with:	Coating		Shade		Colour temperature		
	1	white	M	micro prismatic	927*	2700 K, 90 Ra	* Longer lead times
	9	alu-grey			930	3000 K, 90 Ra	
	17	corten brown			940	4000 K, 90 Ra	
	66	black noir 900					
Example order code:	5103-1M930 = Pelée Line 1200, 5000 lm, 35/65, white, 3000 K 90 Ra, Dali						

Find our sales partner in your country under Contacts at www.focus-lighting.dk

FOCUS-LIGHTING

Pelée Line - 1800

Design: Cubo Architects



Luminaire

Materiale: aluminium
Powder coating: white RAL 9010 Textura
 black Noir 900 Sablé SN351F
 alu-grey RAL 9006 Textura
 corten brown YX355F
Shades: prismatic acrylate (downwards)
 opal-white acrylate (upwards)
Lead: 3 m white PKLJ
Suspension: 2 x 2 m steel wire, 1.2 mm
Classification: IP20, class I
Weight: ca. 7 kg
Lamp type: LED

LED and driver

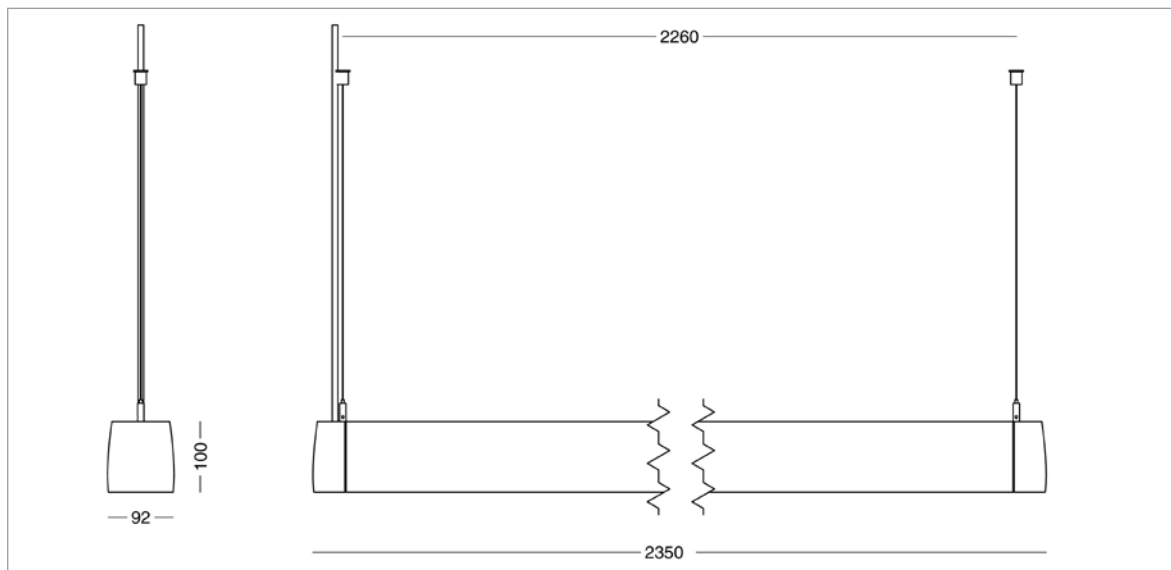
LED: strips
Consumption:
 100% downlight: 56 W
 Other variants: 84 W
Operational life: 50,000 hours, L80B10
Luminous power:
 100% downlight: max 6000 lm
 Other variants: max 9000 lm
Colour temperature: 2700, 3000, or 4000 Kelvin
Energy eff class: 2700 and 4000 K: D
 3000 K: E
Colour rendering: min 90 Ra
Colour accuracy: 3 steps SDCM
Driver: Dali control

Product codes:

PELÉE Line 1800							
Item No.	Lamp type		Select colour, colour temperature, and dimming in the table below.				
5801-	3000 lm, downwards						
5802-	4500 lm, downwards						
5803-	6000 lm, downwards						
5804-	7500 lm, up and downwards in a 35/65 ratio						
5805-	9000 lm, up and downwards in a 35/65 ratio						
5806-	6000 lm, up and downwards in a 50/50 ratio						
5807-	9000 lm, up and downwards in a 50/50 ratio						
5808-	7500 lm, up and downwards in a 65/35 ratio						
5809-	9000 lm, up and downwards in a 65/35 ratio						
To be combined with:	Coating		Shade		Colour temperature		
	1	white	M	micro prismatic	927*	2700 K, 90 Ra	* Longer lead times
	9	alu-grey			930	3000 K, 90 Ra	
	17	corten brown			940	4000 K, 90 Ra	
	66	black noir 900					
Example order code:	5804-66M930 = Pelée Line 1800, 7500 lm, 35/65, black noir 900, 3000 K 90 Ra, Dali						

Pelée Line - 2350

Design: Cubo Architects



Luminaire

Material: aluminium
Powder coating: white RAL 9010 Textura
 black Noir 900 Sablé SN351F
 alu-grey RAL 9006 Textura
 corten brown YX355F
Shades: prismatic acrylate (downwards)
 opal-white acrylate (upwards)
Lead: 3 m white PKLJ
Suspension: 2 x 2 m steel wire, 1.2 mm
Classification: IP20, class I
Weight: ca. 9 kg
Lamp type: LED

LED and driver

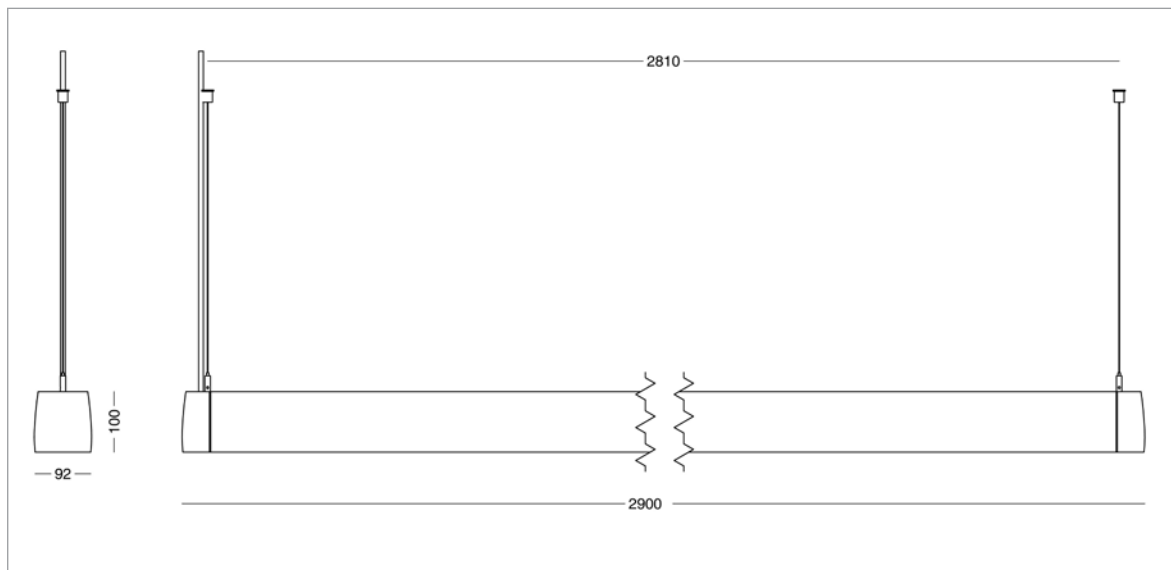
LED: strips
Max consumption: 103 W
Operational life: 50,000 hours, L80B10
Luminous power:
 100% downlight: max 8000 lm
 Other variants: max 12000 lm
Colour temperature: 2700, 3000, or 4000 Kelvin
Energy eff class: 2700 and 4000 K: D
 3000 K: E
Colour rendering: min 90 Ra
Colour accuracy: 3 steps SDCM
Driver: Dali control

Product codes:

PELÉE Line 2350					
Item No.	Lamp type	Select colour, colour temperature, and dimming in the table below.			
5813-	8000 lm, downwards				
5815-	12000 lm, up and downwards in a 35/65 ratio				
5817-	12000 lm, up and downwards in a 50/50 ratio				
5819-	12000 lm, up and downwards in a 65/35 ratio				
To be combined with:	Coating	Shade		Colour temperature	
	1 white	M	micro prismatic	927*	2700 K, 90 Ra
	9 alu-grey			930	3000 K, 90 Ra
	17 corten brown			940	4000 K, 90 Ra
	66 black noir 900				
* Longer lead times					
Example order code:	5815-66M930 = Pelée Line 2350, 12000 lm, 35/65, black noir 900, 3000 K 90 Ra, Dali				

Pelée Line - 2900

Design: Cubo Architects



Luminaire

Materiale: aluminium
Powder coating: white RAL 9010 Textura
 black Noir 900 Sablé SN351F
 alu-grey RAL 9006 Textura
 corten brown YX355F
Shades: prismatic acrylate (downwards)
 opal-white acrylate (upwards)
Lead: 3 m white PKLJ
Suspension: 2 x 2 m steel wire, 1.2 mm
Classification: IP20, class I
Weight: ca. 11 kg
Lamp type: LED

LED and driver

LED: strips
Max consumption: 140 W
Operational life: 50,000 hours, L80B10
Luminous power:
 100% downlight: max 10000 lm
 Other variants: max 15000 lm
Colour temperature: 2700, 3000, or 4000 Kelvin
Energy eff class: 2700 and 4000 K: D
 3000 K: E
Colour rendering: min 90 Ra
Colour accuracy: 3 steps SDCM
Driver: Dali control

Product codes:

PELÉE Line 2900					
Item No.	Lamp type	Select colour, colour temperature, and dimming in the table below.			
5823-	10000 lm, downwards				
5825-	15000 lm, up and downwards in a 35/65 ratio				
5827-	15000 lm, up and downwards in a 50/50 ratio				
5829-	15000 lm, up and downwards in a 65/35 ratio				
To be combined with:	Coating	Shade	Colour temperature		
	1 white	M micro prismatic	927*	2700 K, 90 Ra	* Longer lead times
	9 alu-grey		930	3000 K, 90 Ra	
	17 corten brown		940	4000 K, 90 Ra	
	66 black noir 900				
Example order code:	5825-1M930 = Pelée Line 2900, 15000 lm, 35/65, white RAL 9010, 3000 K 90 Ra, Dali				